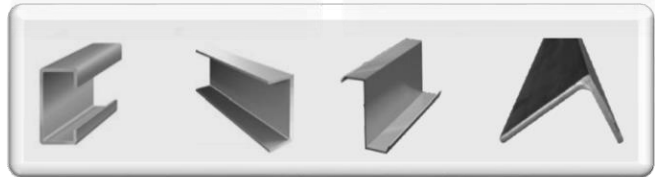
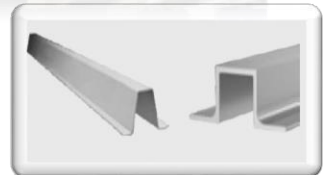
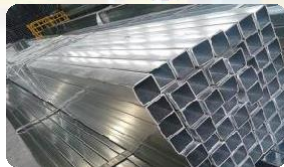


HOT DIP GALVANIZING PROCESSOR

ABOUT US :

ISUN ENTERPRISE is a service provider and supplier of Hot Dip Galvanizing, supported with Quality management system in accordance with international quality standards. We are backed by competent and skill workforce with guidance of experienced management team. The factory is located at Shapar-Veraval Rajkot. *Our monthly production capacity 600 Ton.* We value our clients time hence we ensure to provide timely delivery and have earned the trustworthiness. we have successfully established ourselves as one of the leaders in the field of manufacturing and exporting of products falling in our domain.

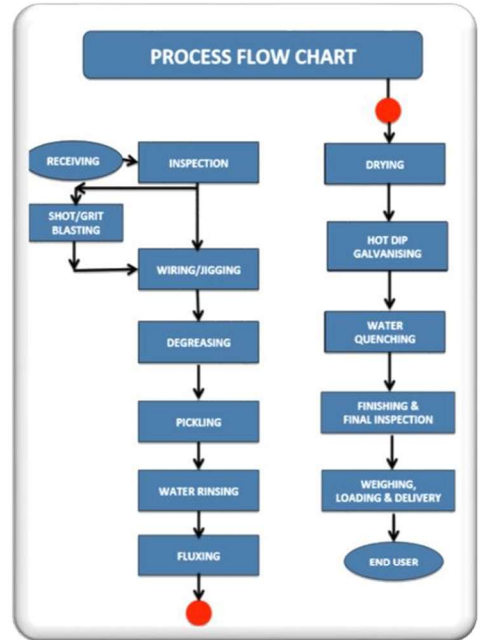


WHAT IS HOT-DIP GALVANIZING (HDG)

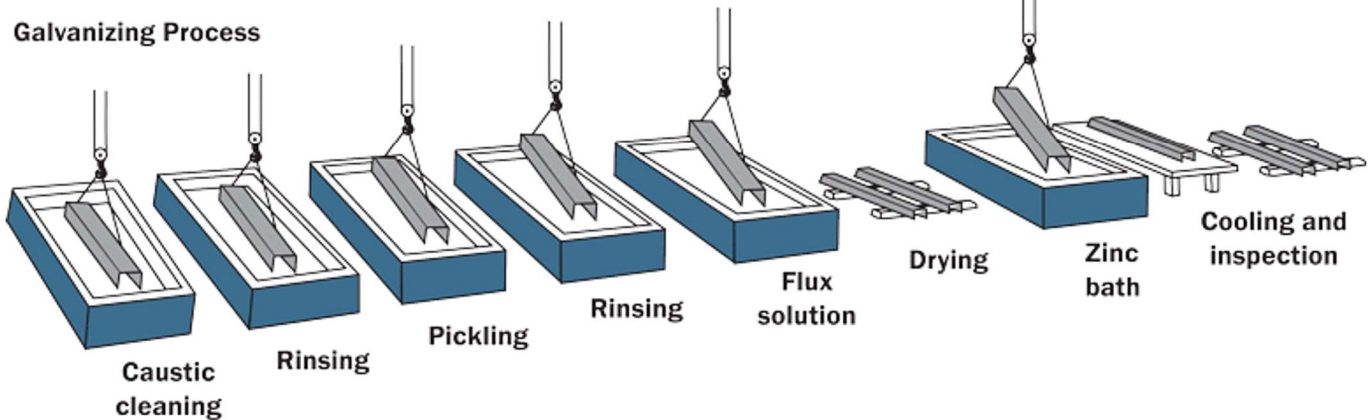
Hot-dip galvanizing is a metallurgical bond between steel and molten zinc, produced in specific installations and under controlled conditions. The process of molecular bonding between two metals is unique and simple, yet provides excellent molecular bonding and cathodic protection.

HOT-DIP GALVANIZING PROCESS:

- 1: Lower Costs
- 2: Extremely Long Life
- 3: There is Less Maintenance Required
- 4: Reliability
- 5: Tougher Coating
- 6: All Over, Complete Protection
- 7: Easy of Inspection
- 8: A Full Coating can be Applied Quickly



Galvanizing Process



Our Valuable Clients



Want Quality, Accuracy and Timing? We are just phone call away.

ISUN ENTERPRISE

Head Office – Office No.410, R K Prime 2,
Mahapuja Dham chowk, 150 Feet Ring Rd,
Rajkot, Gujarat 360004.

Factory – Plot-9, Nr. Pyor Pet Industries,
Opp. Marshal Techno cast, SIDC Road,
Shapar-Veraval, Rajkot-360024.
Contact No. +91 97237 93492
E-Mail – hiren@isunsolar.in

Our Group of Companies